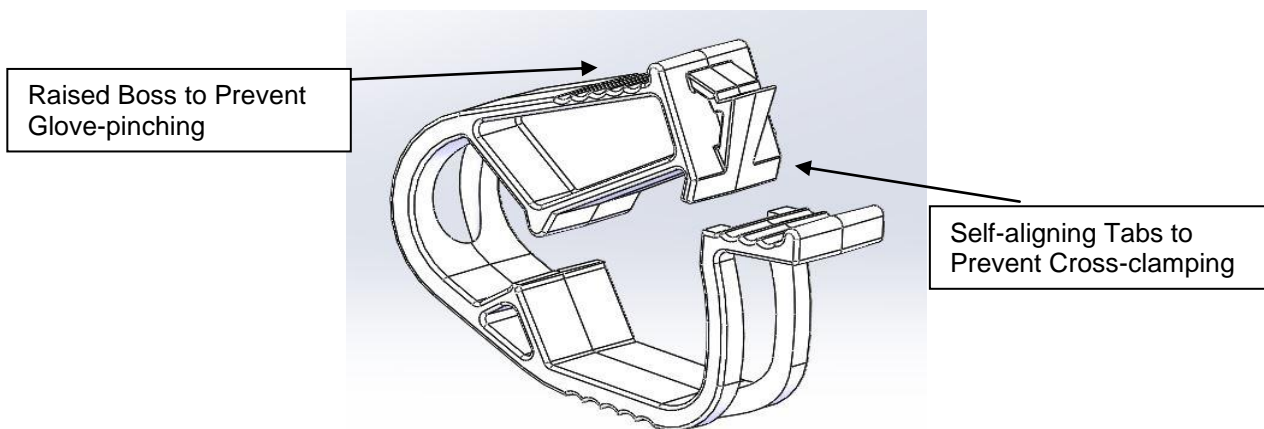


Customer Communication

Streamline® Series Code# SL-2XXXM2XXXX New Small Pinch Clamp

Valued Medisystems® Customer:

Medisystems is introducing a new small pinch clamp to our Streamline® product line code SL-2XXXM2XXXX. This new small pinch clamp is designed to reduce incidents of glove-pinching and cross-clamping of the tubing. The new clamp is located on the Streamline Priming Set, Heparin Line, Venous POD Monitor Line, and the Venous Chamber Level Adjust Line/Medication Line.



Thank you for your continued support of Streamline Blood Tubing Sets. If you have any questions or comments, please feel free to contact Medisystems Customer Service directly at 1-800-369-MEDI (6334).

Best Regards,

The Medisystems Team